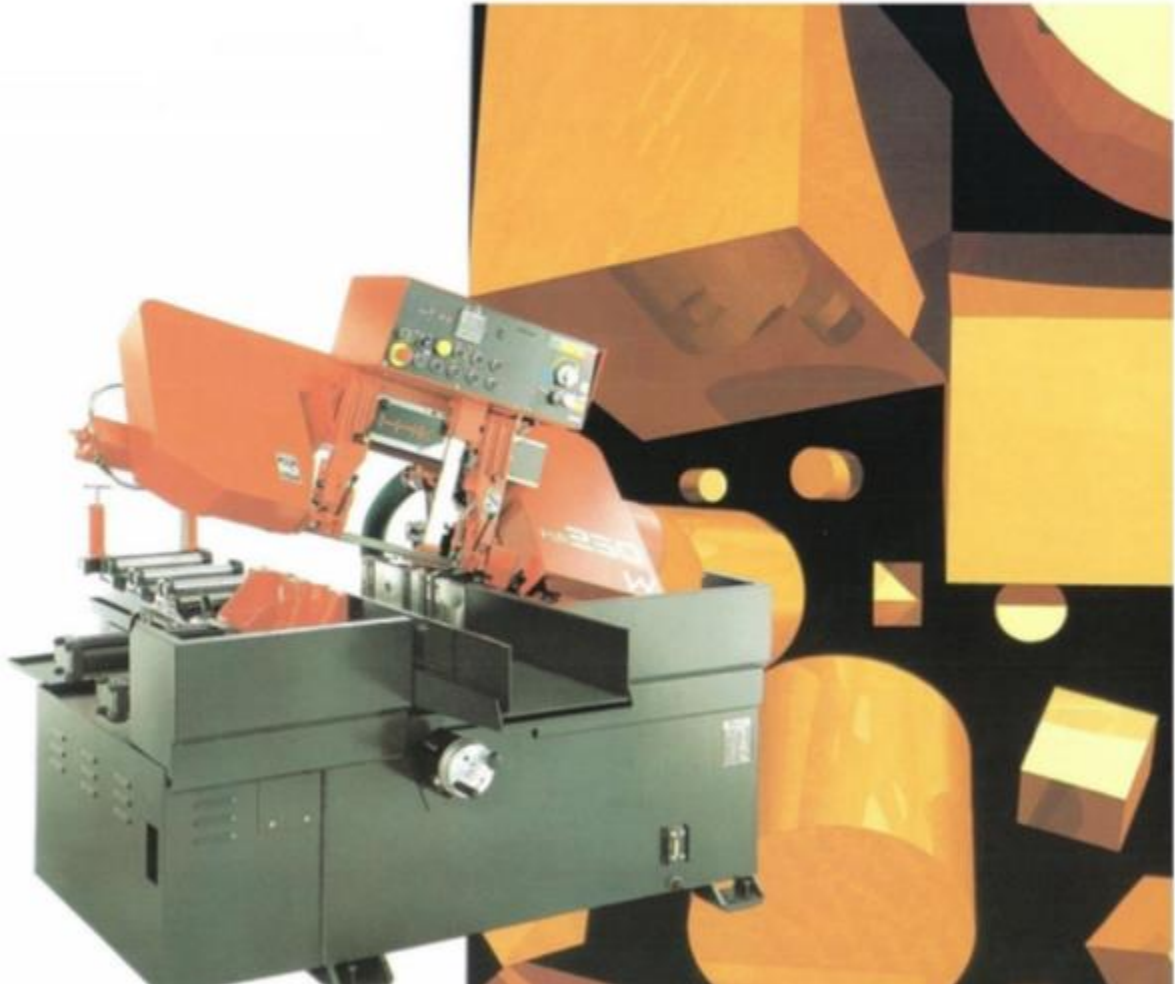


HA-250W

Horizontal Bandsaw Machine





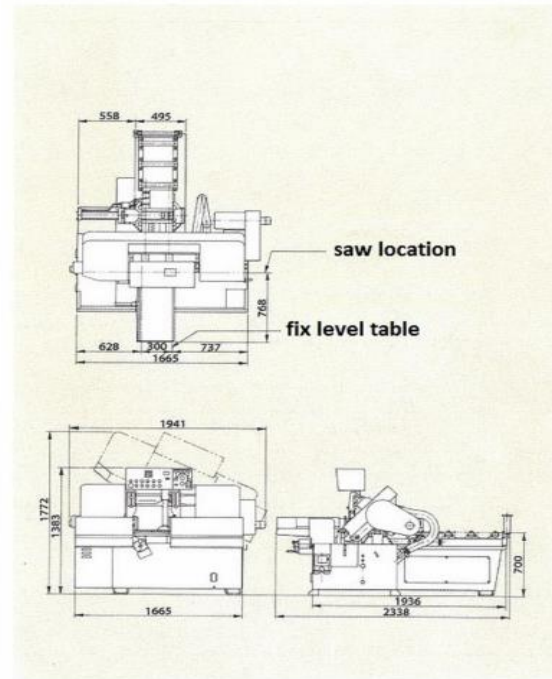
HA-250W

Brief introduction :

This horizontal band saw machine is basic industrial tools for cutting all metal bar. Adopt full automatic saw speed control system, it can cut bar with suitable speed and correct cutting vertical angle.

Technical features as below :

1. Use full auto. Computer control system, make operator easy set the mechanical saw position, and also make the machine easy for daily maintenance.
2. Can use both width saw and narrow saw (as per customer option); wide saw height is 41mm, narrow saw height is 34mm, so for different size of bar, operator can easy choose suitable saw size.
3. The clamp system are control by hydraulic system, operator can control it by panel.
4. PF cut control valve, adopting pressure / flow control valve, easy to set cutting condition.
5. Indicator light system guarantee operator easy checking saw cutting condition, make safety production.



■ Technical specification

		HA-250W	
Max. cut size	(W × H) (mm)	∅ 250	□ 300 × 250
Saw speed	(m / min.)	20 - 80	
Saw size	(mm)	25 × 0.95 × 3505	
Motor	cut (kW-P)	2.2-4 380V 50Hz	
	pump (kW-P)	0.75-4 380V 50Hz	
Tank size	oil (ℓ)	30	
	water (ℓ)	85	
loading table	(kg)	1500	
Power	(kVA)	5.7	
	(mm)	1941 × 2338 × 1383	
machine weight	(kg)	1500	